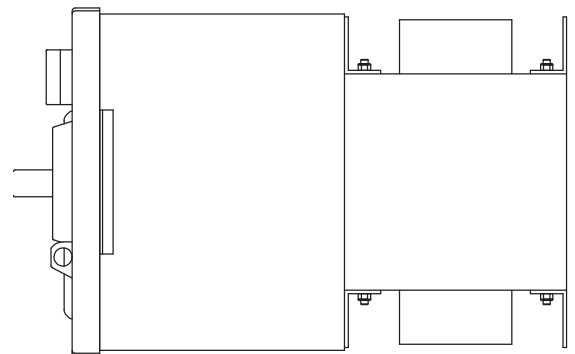
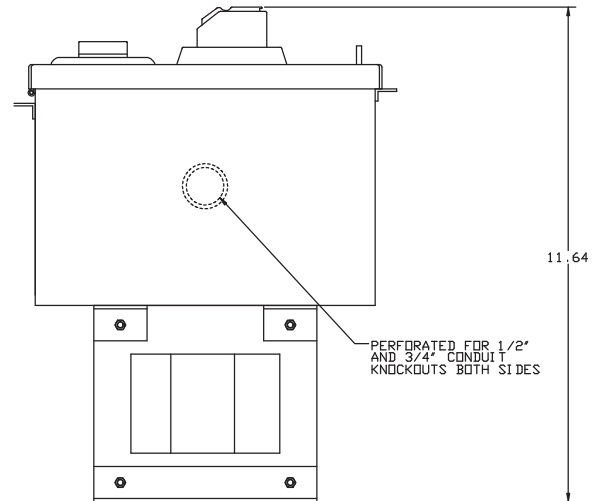
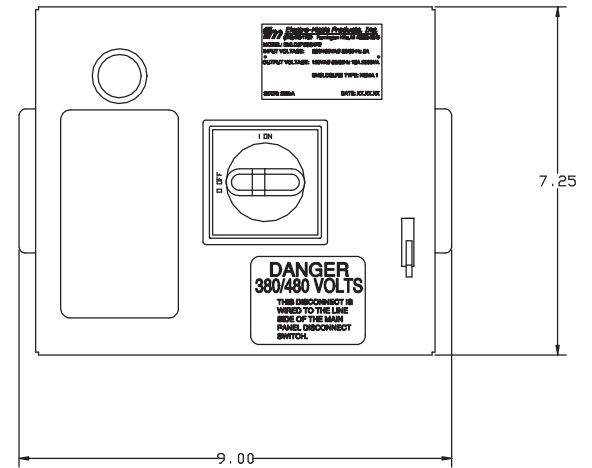


TRANSFORMER DISCONNECT



With the increasing demand of a smaller footprint, yet a high SCCR rating, we have come up with our latest transformer disconnect design, Electro-Matic Products new "Open" Mini style. This design "stacks" the transformer and disconnect box saving more than twice the back panel space.



Features:

- Small foot print
- 200kA SCCR
- 500VA to 3KVA transformers
- Nema 1 / IP22 (mounts inside panel)
- All components UL marked
- Various primary and secondary voltages available
- Class CC primary fusing
- Secondary fuses or circuit breakers available
- Duplex and GFI available
- Lockable switch